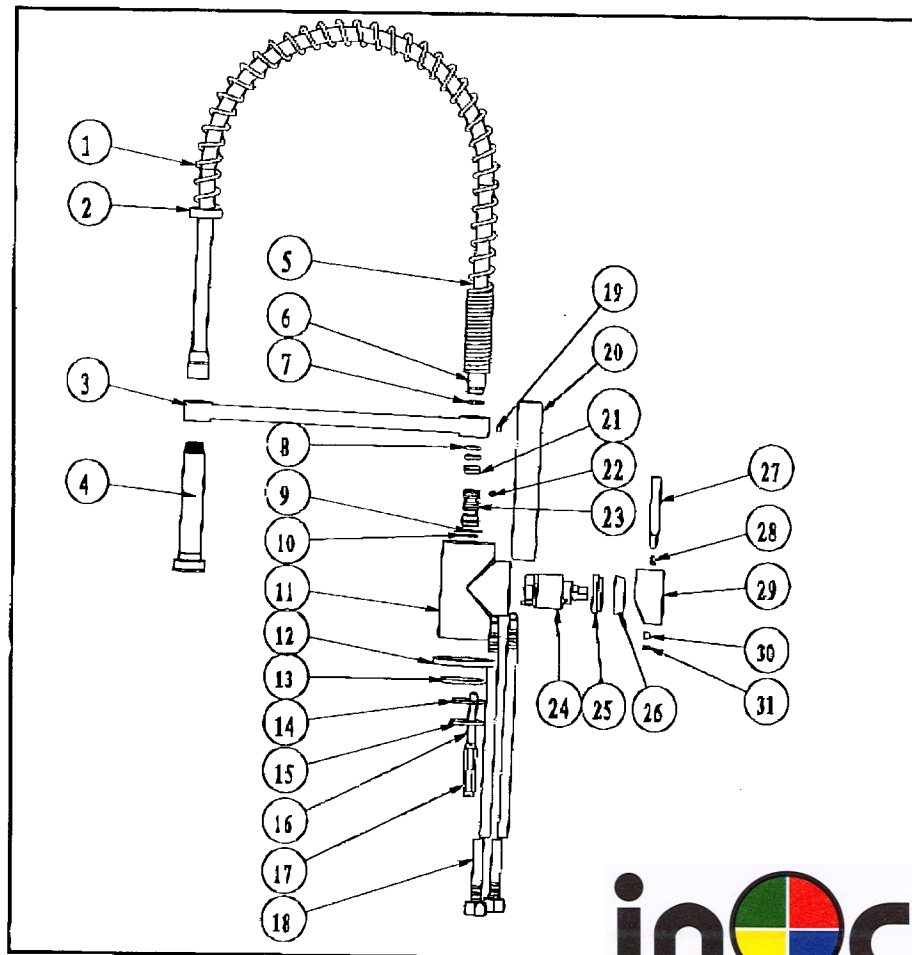


Deck mounted kitchen mixer

Installation Instruction

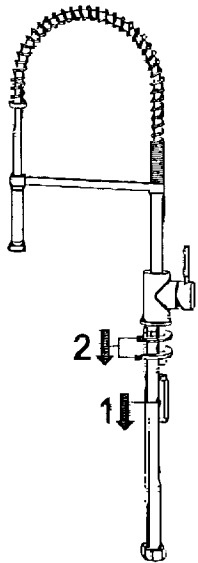
Please read this instruction carefully to avoid any difficulty during installation.



Components List

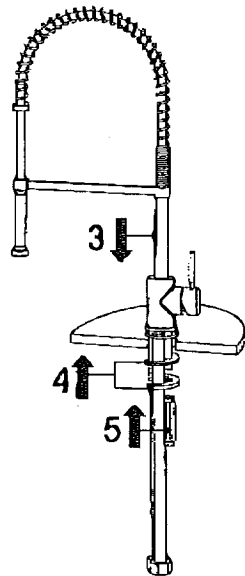
| No. | Component | Material | Quantity |
|-----|--------------------------|----------|----------|
| 1 | Spring | S.S304 | 1 |
| 2 | Union | BRASS | 1 |
| 3 | Clip | | 1 |
| 4 | Shower | | 1 |
| 5 | Hose | | 1 |
| 6 | Pipe | BRASS | 1 |
| 7 | O-ring | NBR | 1 |
| 8 | O-ring | NBR | 2 |
| 9 | Flat washer | | 1 |
| 10 | O-ring | NBR | 1 |
| 11 | Main body | BRASS | 1 |
| 12 | Seat | BRASS | 1 |
| 13 | O-ring | NBR | 1 |
| 14 | Rubber fastening washer | NBR | 1 |
| 15 | Metal fastening washer | S.S304 | 1 |
| 16 | Bolt | S.S304 | 1 |
| 17 | Fastening nut | BRASS | 1 |
| 18 | Flexible connection hose | | 2 |
| 19 | Female allen screw | S.S304 | 2 |
| 20 | Pipe | | 1 |
| 21 | Washer | | 2 |
| 22 | Female allen screw | S.S304 | 1 |
| 23 | Union | BRASS | 1 |
| 24 | Ceramic cartridge | | 1 |
| 25 | Cartridge fastener | BRASS | 1 |
| 26 | Cap | BRASS | 1 |
| 27 | Handle | ZN | 1 |
| 28 | Female allen screw | S.S304 | 1 |
| 29 | Handle cover | BRASS | 1 |
| 30 | Female allen screw | S.S304 | 1 |
| 31 | Plug | ABS | 1 |

Installation Step



2 ↓

1 ↓



3 ↓

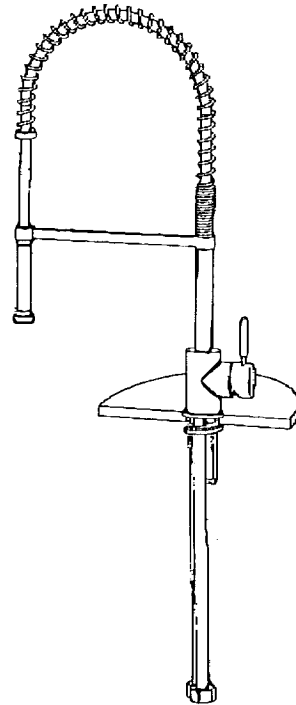
4 ↑

5 ↑

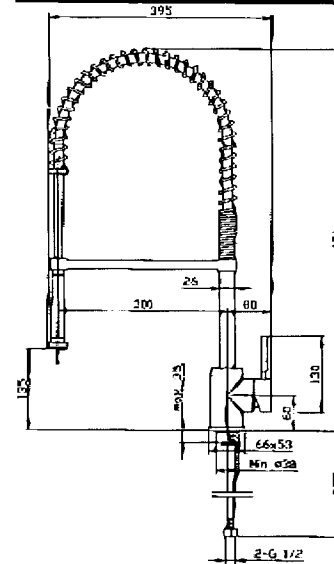
1

2

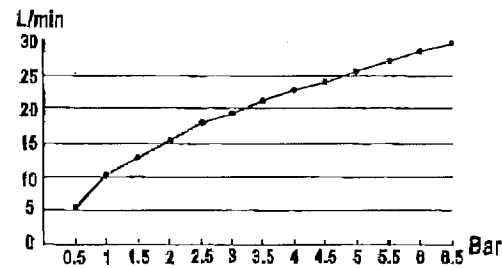
3



Installation Fig



Flow rate Curves



Test pressure: 1.6MPa (16bar)

Flow pressure:

Min 0.05MPa

Max 1.60MPa

Recommended pressure:

0.1MPa to 0.8MPa (1 to 8 bar)

Note

1. Ensure proper cleaning of the water supply pipe before installation to avoid any jammed.
2. The cold-water supply must be connected on the right and the hot-water supply must be connected to the left.
3. Check the installation dimensions according to the Figure and ensure it is installed correctly.
4. Hot-water inlet temperature must not be over 80°C.